



# Accessories Slatwall Assembly Instructions

## Tools Required:

Drill and Drill Bits  
Phillips Screwdriver Bit  
Socket Wrench Set  
Level  
Chalk Line

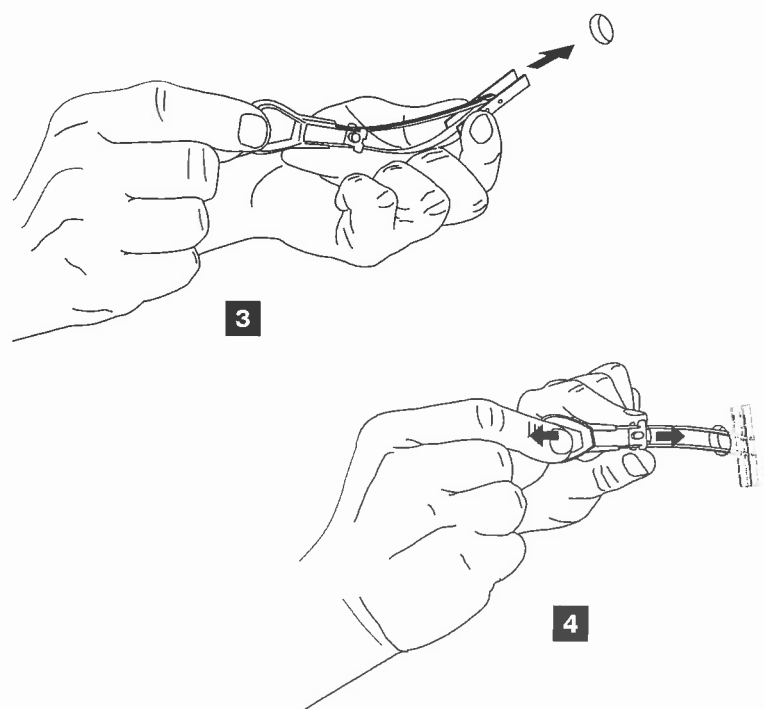
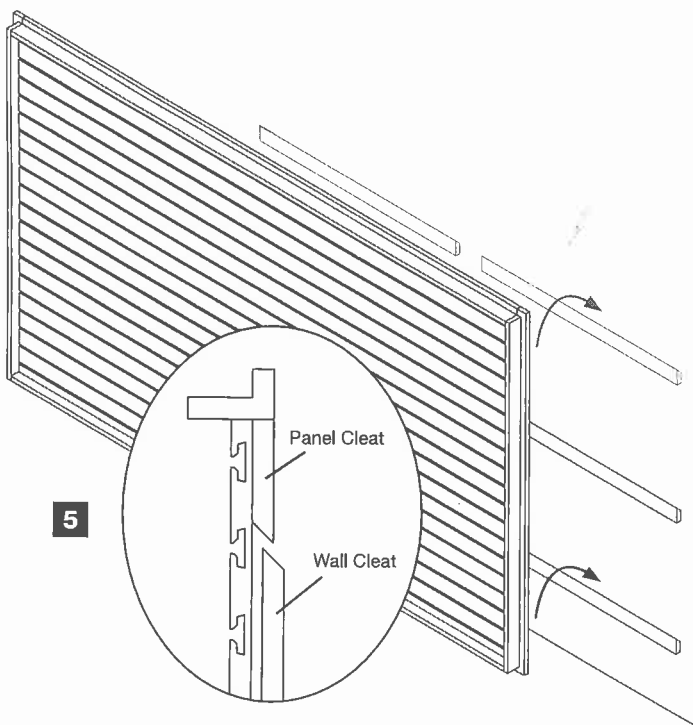
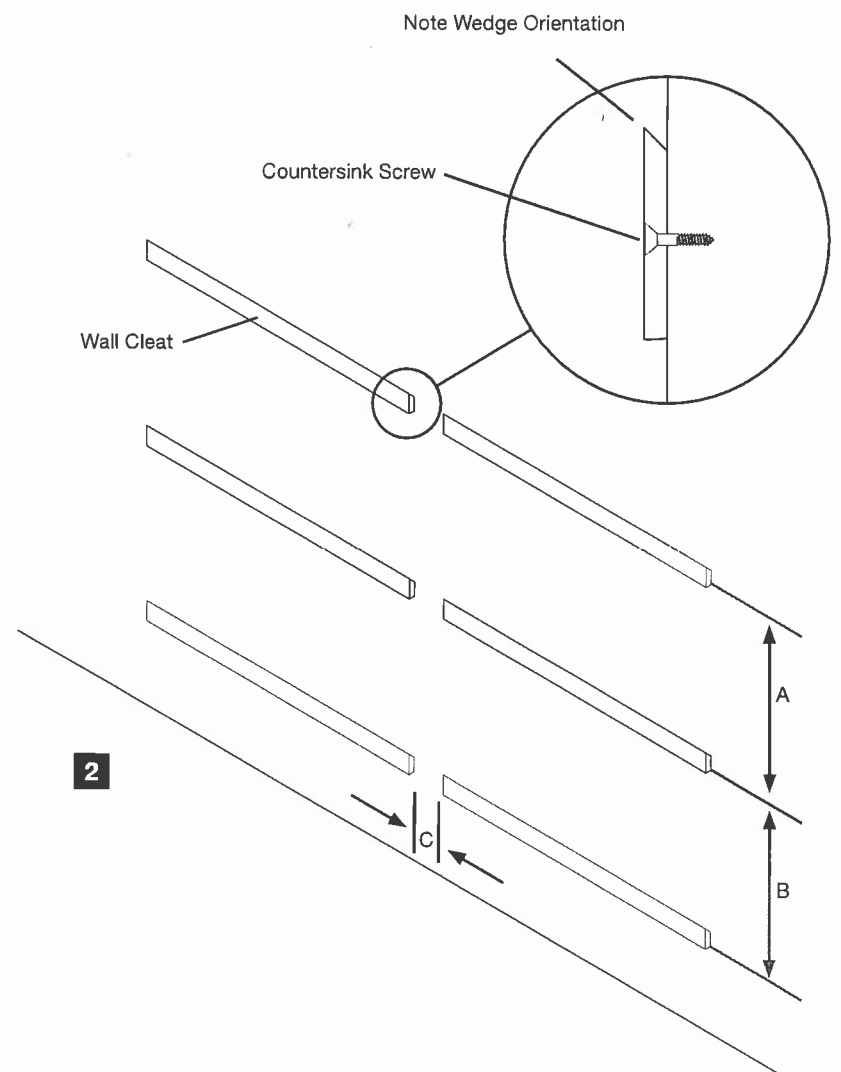
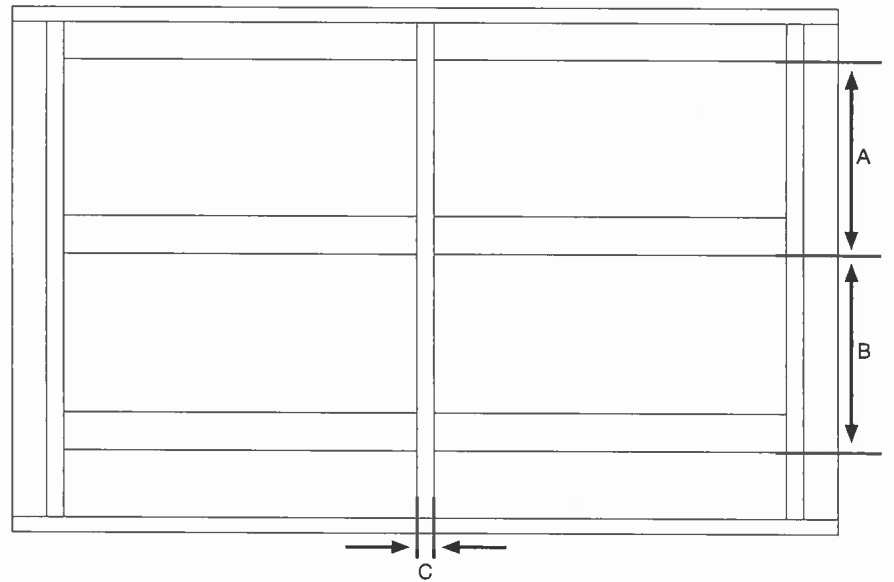
## Parts List:

(12) 1/4-20 x 2-1/2 Phillips Flat Head Machine Screws  
(12) 1/4-20 Wall Anchor Strap Toggles  
(24) #10 x 2-1/2 Phillips Flat Head Sheet Metal Screws  
(6) MDF Wall Cleats 1 x 3-1/2 x 41-1/2 Long  
(1) Slatwall Panel

**Caution:** Display must be safely secured to a wall. Installation by a qualified contractor is required.

## Instructions:

1. Wall anchors and sheet metal screws provided are for use on a hollow stud wall. If mounting surface differs from this, installer must obtain appropriate fasteners for the specific application.
2. Measure distances A, B, and C between the six preinstalled cleats on the back of the slat wall panel. These dimensions must be transferred to the wall in order to properly place the six mating wall cleats (Figure 1).
3. Accordingly, mark the wall to locate six wall cleats. Drill and countersink for flat head screws (Figure 2).
4. Attach six wall cleats securely to the wall (Figure 2). Installer must select and use an appropriate combination of sheet metal screws and wall anchors for the specific application.
  - Where studs are located use flat head sheet metal screws provided.
  - For hollow areas install wall anchors as follows:
    - A. Drill 1/2" diameter hole in drywall.
    - B. Insert strap toggle assembly into hole (Figure 3).
    - C. Push retaining ring while pulling on the straps to secure toggle assembly. Brake off straps after anchor is seated (Figure 4).
    - D. Place wall cleat over wall anchors and secure to wall with flat head machine screws provided.
7. Hang the slat wall panel onto the mating wall cleats, making sure all six cleats are safely and securely engaged. (Figure 5).
8. Place hanging hooks and holders (purchased separately) onto slatwall and display accessories as desired.



Call DCI Marketing at 1-800-766-5660 with any questions.